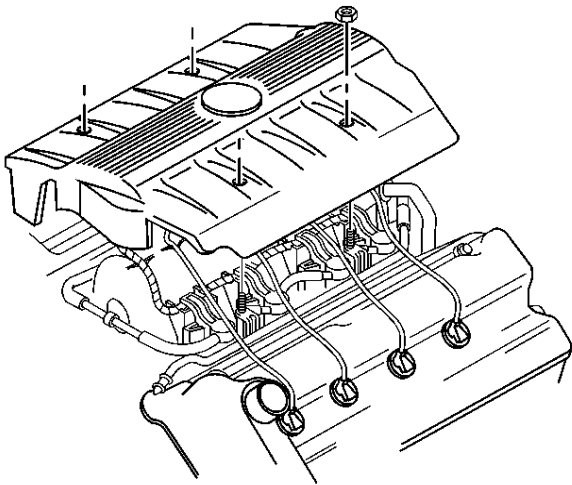


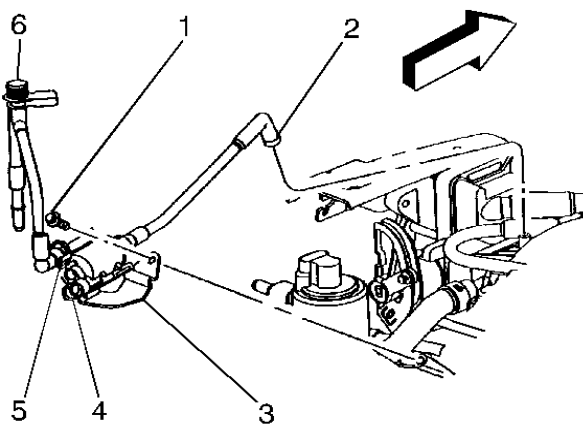
Document ID# 411822

Evaporative Emission (EVAP) Canister Purge Solenoid Valve Replacement

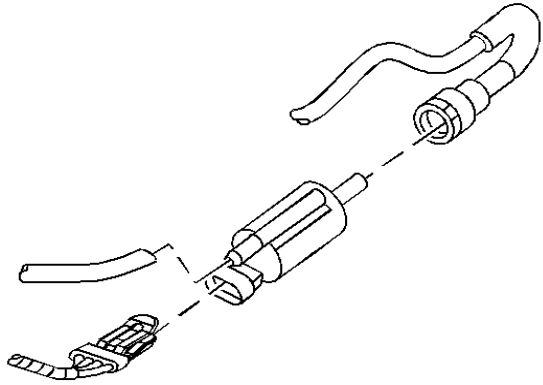
Removal Procedure



1. Remove the intake manifold sight shield. Refer to [Intake Manifold Removal](#) in engine mechanical.

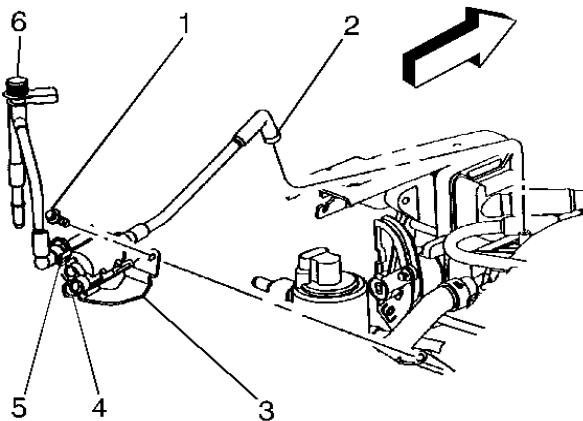


2. Disconnect the solenoid quick-connect fitting at the EVAP canister purge solenoid (2). Refer to [Quick Connect Fitting\(s\) Service \(Plastic Collar\)](#)
3. Disconnect the solenoid quick-connect fitting from the EVAP canister purge solenoid to the enhanced EVAP service port (5).
4. Disconnect the electrical connector at the EVAP canister purge solenoid (4).
5. Remove the EVAP canister purge solenoid valve bolt (1).



6. Remove the EVAP canister purge solenoid from the bracket.

Installation Procedure



1. Install the EVAP canister purge solenoid valve (4) to the bracket (3).

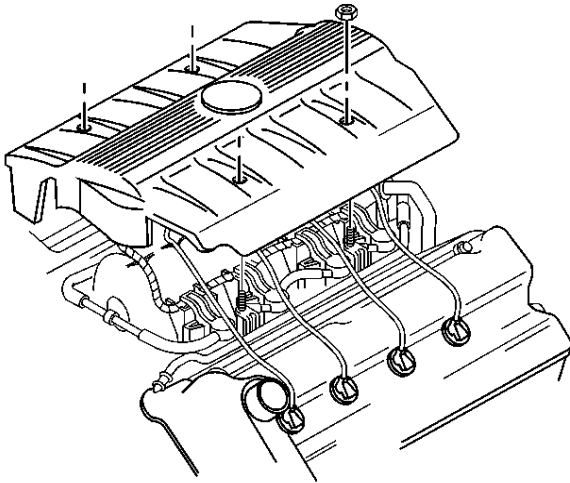
Notice

Use the correct fastener in the correct location. Replacement fasteners must be the correct part number for that application. Fasteners requiring replacement or fasteners requiring the use of thread locking compound or sealant are identified in the service procedure. Do not use paints, lubricants, or corrosion inhibitors on fasteners or fastener joint surfaces unless specified. These coatings affect fastener torque and joint clamping force and may damage the fastener. Use the correct tightening sequence and specifications when installing fasteners in order to avoid damage to parts and systems.

2. Reinstall the EVAP canister purge solenoid valve bolt (1). **Tighten**

Tighten the bolt to 12 N·m (106 lb in).

3. Connect the solenoid quick-connect fitting at the EVAP canister purge solenoid (2). Refer to [Quick Connect Fitting\(s\) Service \(Plastic Collar\)](#) .
4. Connect the solenoid quick-connect fitting from the EVAP canister purge solenoid to the enhanced EVAP service port (5).
5. Connect the electrical connector to the EVAP canister purge solenoid (4).



6. Reinstall the intake manifold sight shield. Refer to [Intake Manifold Removal](#) in engine mechanical.